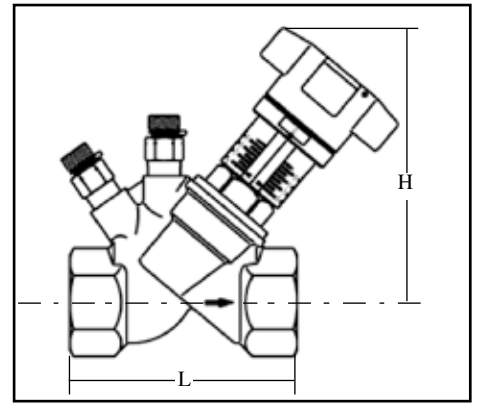


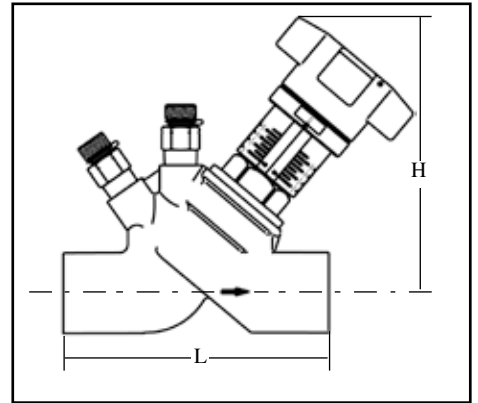


Sweat & Thread Series, Hydrocontrol R

Size	Connection	Dimensions inches		Weight lbs.	Limits PSI / °F	Hand-wheel Turns
		L	H			
1/2"	Female NPT	3-1/8	4-1/8	1.58	235 / 300	7.0
3/4"	Female NPT	3-5/16	4-9/16	1.80	235 / 300	7.0
1"	Female NPT	3-3/8	4-11/16	2.47	235 / 300	7.0
1-1/4"	Female NPT	4-3/8	5-3/8	3.04	235 / 300	10.0
1-1/2"	Female NPT	4-3/4	5-7/16	3.96	235 / 300	10.0
2"	Female NPT	5-15/16	5-13/16	5.96	235 / 300	10.0



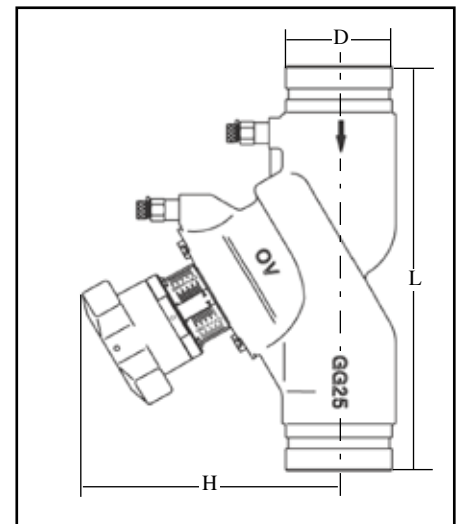
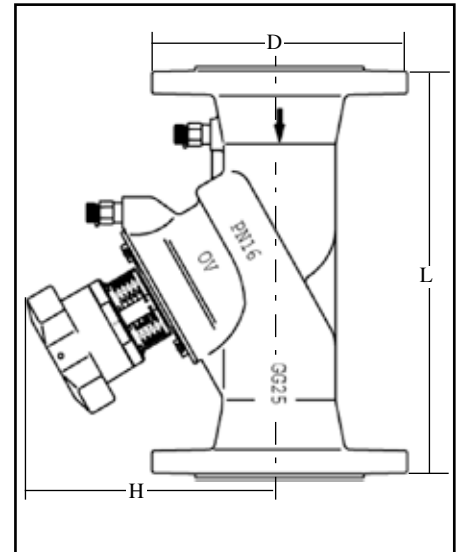
Size	Connection	Dimensions inches		Weight lbs.	Limits PSI / °F	Hand-wheel Turns
		L	H			
1/2"	Female Sweat	3-1/2	4-1/2	1.60	235 / 300	7.0
3/4"	Female Sweat	3-13/16	4-9/16	1.60	235 / 300	7.0
1"	Female Sweat	4-5/16	4-11/16	1.84	235 / 300	7.0
1-1/4"	Female Sweat	5-1/16	5-3/8	3.14	235 / 300	10.0
1-1/2"	Female Sweat	5-9/16	5-7/16	3.84	235 / 300	10.0
2"	Female Sweat	6-9/16	6-3/8	5.26	235 / 300	10.0



Flanged Series, Hydrocontrol F & Grooved Series, Hydrocontrol G

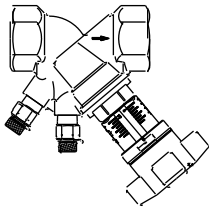
Size	Connection	Dimensions inches			Weight lbs	Limits PSI / °F	Hand-wheel Turns
		L	H	D			
2-1/2"	125# Flange	11-7/16	7-3/8	7-1/4	31.7	235 / 300	8.0
3"	125# Flange	12-1/4	8	7-7/8	39.8	235 / 300	8.0
4"	125# Flange	13-3/4	9-1/8	8-11/16	61.3	235 / 300	8.0
5"	125# Flange	15-3/4	10-7/8	9-7/8	89.9	235 / 300	8.0
6"	125# Flange	18-7/8	10-7/8	11-1/4	114.0	235 / 300	8.0
8"	125# Flange	23-5/8	18-3/8	13-3/8	361.9	235 / 300	12.0
10"	125# Flange	28-3/4	18-15/16	15-15/16	431.2	235 / 300	12.0
12"	125# Flange	33-7/16	20-1/4	19-1/16	581.9	235 / 300	12.0

Size	Connection	Dimensions inches			Weight lbs	Limits PSI / °F	Hand-wheel Turns
		L	H	D			
2-1/2"	Groove	11-7/16	7-3/8	7-3/8	19.7	362 / 300	8.0
3"	Groove	12-1/4	8-1/2	8	27.8	362 / 300	8.0
4"	Groove	13-3/4	4-15/16	9-1/2	45.3	362 / 300	8.0
5"	Groove	15-3/4	5-9/16	11-1/4	70.0	362 / 300	8.0
6"	Groove	18-7/8	6-5/8	11-1/4	95.7	362 / 300	8.0
8"	Groove	23-5/8	8-5/8	18-3/8	255.2	362 / 300	12.0
10"	Groove	28-3/4	10-3/4	18-15/16	377.3	362 / 300	12.0
12"	Groove	33-7/16	12-3/4	20-1/4	520.3	362 / 300	12.0



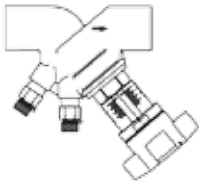
Item	Size	Item no.
------	------	----------

Bronze balancing valve with NPT thread



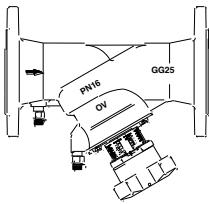
DN 15	1/2"	106 10 04
DN 20	3/4"	106 10 06
DN 25	1"	106 10 08
DN 32	1 1/4"	106 10 10
DN 40	1 1/2"	106 10 12
DN 50	2"	106 10 16

Bronze balancing valve with solder connection

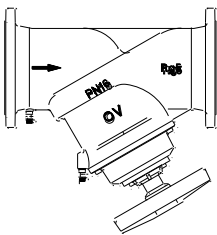


DN 15	1/2"	106 05 51
DN 20	3/4"	106 05 52
DN 25	1"	106 05 53
DN 32	1 1/4"	106 05 54
DN 40	1 1/2"	106 05 55
DN 50	2"	106 05 56

Flanged cast iron balancing valve (ANSI)

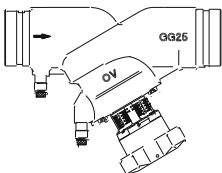


DN 20	3/4"	106 29 46
DN 25	1"	106 29 47
DN 32	1 1/4"	106 29 48
DN 40	1 1/2"	106 29 49
DN 50	2"	106 29 50
DN 65	2 1/2"	106 29 51
DN 80	3"	106 29 52
DN 100	4"	106 29 53
DN 125	5"	106 29 54
DN 150	6"	106 29 55

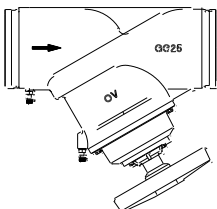


DN 200	8"	106 29 56
DN 250	10"	106 29 57
DN 300	12"	106 29 58

Cast iron balancing valve with groove connection



DN 65	2 1/2"	106 30 51
DN 80	3"	106 30 52
DN 100	4"	103 30 53
DN 125	5"	106 30 54
DN 150	6"	106 30 55



DN 200	8"	106 30 56
DN 250	10"	106 30 57
DN 300	12"	106 30 58

Oventrop Corporation
PO Box 789
East Granby, CT 06026
Phone: (860) 413-9173
Fax: (860) 413-9436
www.ventrop-us.com