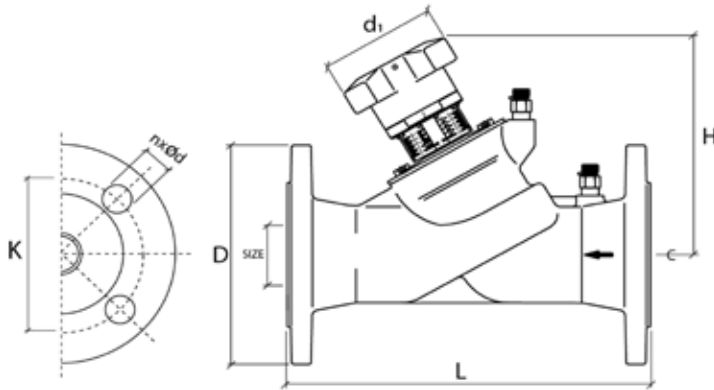


Oventrop

“Hydrocontrol F” Cast Iron Double Regulating and Commissioning Valves Flanged Connection 3/4" - 12" (DN 20 - DN 300)



Dimensions in Inches

Size	Item no.	Weight	L	H max.	d1	D	K	n x Ød
DN20 3/4"	106 29 46	7.5 lbs.	5.91	4.65	2.76	4.13	2.95	0.16x0.55
DN25 1"	106 29 47	7.8 lbs.	6.30	4.65	2.76	4.53	3.35	0.16x0.75
DN32 1-1/4"	106 29 48	12.8 lbs.	7.09	5.35	2.76	5.51	3.94	0.16x0.75
DN40 1-1/2"	106 29 49	13.7 lbs.	7.87	5.35	2.76	5.91	4.33	0.16x0.75
DN50 2"	106 29 50	18.6 lbs.	9.06	5.71	2.76	6.50	4.92	0.16x0.75
DN65 2-1/2"	106 29 51	31.7 lbs.	11.4	7.4	4.33	7.28	5.71	0.16x0.75
DN80 3"	106 29 52	39.8 lbs.	12.2	8.0	4.33	7.83	6.3	0.31x0.75
DN100 4"	106 29 53	61.3 lbs.	13.8	9.45	6.3	8.66	7.09	0.31x0.75
DN125 5"	106 29 54	89.9 lbs.	15.8	11.1	6.3	9.84	8.27	0.31x0.75
DN150 6"	106 29 55	113.9 lbs.	18.9	11.2	6.3	11.2	9.45	0.31x0.91
DN200 8"	106 29 56	361.9 lbs.	23.6	18.4	11.8	13.4	11.6	0.47x0.91
DN250 10"	106 29 57	431.2 lbs.	28.7	18.9	11.8	15.9	14.0	0.47x1.1
DN300 12"	106 29 58	581.9 lbs.	33.5	20.3	11.8	18.1	16.1	0.47x1.1

Installation Notes

When installing the valves, it is to be observed that the direction of flow conforms with the arrow on the valve body and that the valve is installed with a minimum of 3 D (3 x nominal pipe diameter) of straight pipe at the valve inlet and of 2 D (2 x nominal pipe diameter) of straight pipe at the valve outlet.

The double regulating and commissioning valves may be installed in either the supply or the return pipe.



Oventrop Corporation
PO Box 789
East Granby, CT 06026
Phone: (860)413-9173
www.oventrop-us.com

Product Specification

Oventrop double regulating and commissioning valves “Hydrocontrol F” are installed in the pipework of central hot water heating and cooling systems and serve to achieve a hydronic balance between the various circuits of the system.

The balance is achieved by a presetting with memory position. The calculated flow rate or pressure loss for each individual pipe can be preset centrally and regulated precisely. The required values of presetting can be obtained from the flow charts. All intermediate values are infinitely adjustable. The selected presetting can be read off two scales. The Oventrop double regulating and commissioning valves have two threaded ports which are equipped with the pressure test points for measuring the differential pressure.

Specifications:

Maximum working temperature: 300°F
Maximum working pressure: 235 psi
Temperature range: 15°F to 300°F

Valve bodies manufactured from cast iron to ASME/ANSI B16.5 and flanged to 125 lb. standards. Valve body made of cast iron (GG 25 EN-GJL-250), hole circle of the flanged connection according to ANSI 150.

Bonnet, stem and disc made of bronze/dezincification resistant brass.
Disc with PTFE seal.
Double EPDM O-ring stem seal.

**Hydrocontrol F—Flanged Connection—3/4 to 12 inch valves
Cv Values for Various Handwheel Settings**

Presetting or Handwheel Turns	3/4"	1"	1- 1/4"	1- 1/2"	2"	2- 1/2"	3"	4"	5"	6"	8"	10"	12"
0.5	0.26	0.97	0.97	1.94	3.83	2.21	2.67	3.96	6.40	6.50	-	-	-
1.0	0.49	1.55	2.01	3.80	6.70	4.19	5.12	9.94	14.48	17.70	-	-	-
1.5	0.73	2.13	3.12	5.55	8.42	6.51	8.14	16.28	22.56	29.37	-	-	-
2.0	0.97	2.72	4.22	7.21	11.10	11.63	13.78	21.51	30.93	41.00	56.86	81.4	232.56
2.5	1.21	3.29	5.33	8.59	13.45	17.44	21.69	27.91	40.41	62.70	72.09	98.84	290.70
3.0	1.45	3.86	6.43	10.10	15.59	27.91	30.35	41.16	55.52	110.49	97.67	127.91	360.47
3.5	1.79	4.63	7.57	11.59	18.09	39.53	40.70	60.47	73.66	157.50	132.56	174.42	441.86
4.0	2.33	5.51	8.67	13.23	21.33	50.58	52.03	83.72	94.24	194.33	175.58	226.74	558.14
4.5	2.95	6.51	9.85	14.99	23.90	60.47	64.19	108.14	120.41	236.80	239.53	313.95	662.79
5.0	3.59	7.72	10.99	16.87	26.40	70.93	75.12	130.23	149.13	277.80	302.67	413.95	767.44
5.5	4.22	8.65	12.33	19.33	28.84	81.41	87.73	153.29	184.53	316.74	372.09	511.63	872.09
6.0	4.85	9.19	13.60	22.24	31.26	90.70	101.16	172.09	215.47	349.30	445.35	606.98	982.56
6.5	5.30	9.53	14.90	24.30	32.92	98.84	113.43	190.73	253.55	379.88	555.58	705.81	1069.77
7.0	5.55	9.74	15.87	25.93	34.51	104.65	124.13	208.15	283.90	413.49	592.44	793.02	1151.16
7.5	-	-	16.63	27.29	35.91	109.88	133.14	220.98	311.80	444.19	650.00	883.72	1244.19
8.0	-	-	17.28	28.50	37.21	113.95	142.09	233.72	340.70	470.12	718.60	976.74	1325.58
8.5	-	-	17.93	29.26	38.44	-	-	-	-	-	767.44	1034.88	1406.98
9.0	-	-	18.57	29.97	39.60	-	-	-	-	-	842.44	1084.88	1500.00
9.5	-	-	19.22	30.63	40.70	-	-	-	-	-	881.98	1139.53	1569.77
10.0	-	-	19.86	31.26	41.86	-	-	-	-	-	894.19	1195.35	1651.16
10.5	-	-	-	-	-	-	-	-	-	-	906.98	1255.81	1720.93
11.0	-	-	-	-	-	-	-	-	-	-	918.60	1302.33	1779.07
11.5	-	-	-	-	-	-	-	-	-	-	931.86	1348.84	1825.58
12.0	-	-	-	-	-	-	-	-	-	-	947.09	1395.35	1860.47

“Hydrocontrol” Valve Accessories



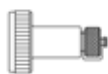
Set of 2 pressure test points
Item 106 02 81



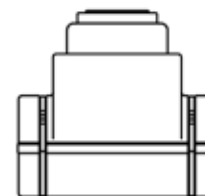
Extension piece for pressure test points
40mm Item 168 83 95
80mm Item 106 02 95



Fill and drain ball valve 1/4"
Item 106 01 91



Measuring adapter
for fill and drain ball valve
Item 106 02 98



Insulation Shell
for “Hydrocontrol F” & “G”

Size	Item no.
DN20 3/4"	106 25 81
DN25 1"	106 25 82
DN32 1-1/4"	106 25 83
DN40 1-1/2"	106 25 84
DN50 2"	106 25 85
DN65 2-1/2"	106 25 86
DN80 3"	106 25 87
DN100 4"	106 25 88
DN125 5"	106 25 89
DN150 6"	106 25 90



Flow meter
OV-DMC 2
Item 106 91 77