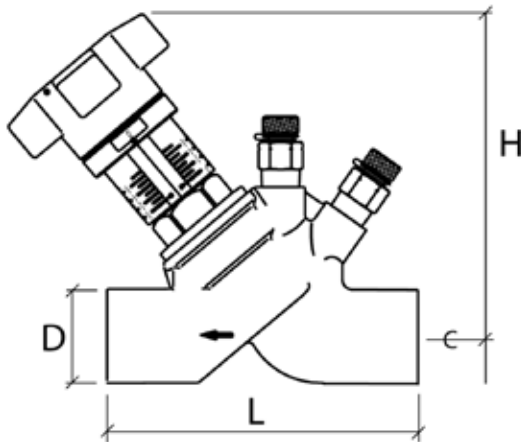


oventrop

“Hydrocontrol R” Bronze Double Regulating and Commissioning Valves Sweat Connection 1/2” - 2” (DN 15 - DN 50)



Dimensions in Inches

Size	Connection	Item no.	Weight	D	L	H	
DN15	1/2"	solder	106 05 51	1.6 lbs.	1/2	3.15	4.49
DN20	3/4"	solder	106 05 52	1.4 lbs.	3/4	3.31	4.57
DN25	1"	solder	106 05 53	1.8 lbs.	1	3.84	4.69
DN32	1-1/4"	solder	106 05 54	3.1 lbs.	1-1/4	4.33	5.35
DN40	1-1/2"	solder	106 05 55	3.8 lbs.	1-1/2	4.72	5.43
DN50	2"	solder	106 05 56	5.3 lbs.	2	5.91	5.83

Installation Notes

When installing the valves, it is to be observed that the direction of flow conforms with the arrow on the valve body and that the valve is installed with a minimum of 3 D (3 x nominal pipe diameter) of straight pipe at the valve inlet and of 2 D (2 x nominal pipe diameter) of straight pipe at the valve outlet.

The double regulating and commissioning valves may be installed in either the supply or the return pipe.



Product Specification

Oventrop double regulating and commissioning valves “Hydrocontrol R” are installed in the pipework of central hot water heating and cooling systems and serve to achieve a hydronic balance between the various circuits of the system.

The balance is achieved by a presetting with memory position. The calculated flow rate or pressure loss for each individual pipe can be preset centrally and regulated precisely. The required values of presetting can be obtained from the flow charts. All intermediate values are infinitely adjustable. The selected presetting can be read off two scales. The Oventrop double regulating and commissioning valves have two threaded ports which are equipped with the pressure test points for measuring the differential pressure.

Specifications:

Maximum working temperature: 300°F
Maximum working pressure: 235 psi
Temperature range: -4°F to 300°F

Bonnet, stem and disc made of bronze/dezincification resistant brass.
Disc with PTFE seal.
Double EPDM O-ring stem seal.

Oventrop Corporation
PO Box 789
East Granby, CT 06026
Phone: (860) 413-9173
www.oventrop-us.com

“Hydrocontrol R”
Sweat or Thread Connection
1/2 to 2 Inch Valves

Cv Values for Various Handwheel Settings

Presetting or Handwheel Turns	1/2"	3/4"	1"	1- 1/4"	1- 1/2"	2"
0.5	0.40	0.58	1.08	1.20	3.09	3.13
1.0	0.53	0.84	1.77	2.40	4.80	5.88
1.5	0.66	1.08	2.42	3.37	6.67	8.31
2.0	0.84	1.33	3.00	4.67	8.53	10.66
2.5	1.14	1.57	3.59	5.91	10.12	13.55
3.0	1.56	1.86	4.29	6.98	11.65	16.55
3.5	1.98	2.37	5.14	7.97	13.02	19.01
4.0	2.38	3.00	6.00	8.88	14.37	21.51
4.5	2.77	3.63	6.92	10.06	16.05	24.07
5.0	3.14	4.24	7.81	11.27	17.74	26.66
5.5	3.56	4.97	8.51	12.44	20.17	28.49
6.0	3.95	5.69	9.20	13.60	22.62	30.04
6.5	4.33	6.33	9.78	14.88	24.36	32.27
7.0	4.51	6.64	10.34	16.17	26.10	34.20
7.5	-	-	-	17.47	27.47	36.16
8.0	-	-	-	18.73	28.86	38.06
8.5	-	-	-	19.97	29.59	40.35
9.0	-	-	-	21.14	30.34	42.65
9.5	-	-	-	22.01	31.16	44.13
10.0	-	-	-	22.62	31.99	45.09

“Hydrocontrol” Valve Accessories



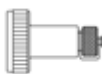
Set of 2 pressure test points
Item 106 02 81



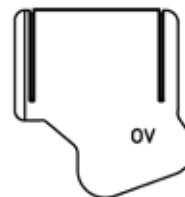
Extension piece for pressure test points
40mm Item 168 83 95
80mm Item 106 02 95



Fill and drain ball valve 1/4"
Item 106 01 91



Measuring adapter
for fill and drain ball valve
Item 106 02 98



Insulation Shell
for “Hydrocontrol R”

Size	Item no.
DN15 1/2"	106 00 81
DN20 3/4"	106 00 82
DN25 1"	106 00 83
DN32 1-1/4"	106 00 84
DN40 1-1/2"	106 00 85
DN50 2"	106 00 86



Flow meter
OV-DMC 2
Item 106 91 77