



The Oventrop Quality Management System is certified to DIN-EN-ISO 9001

### Oil draining facility "Flexo-Bloc"

Datenblatt

#### Construction and function:

The Oventrop "Flexo-Bloc" is used as oil draining facility for individual and battery tanks with connecting pipes installed at the bottom. The heating oil is drawn from the tank via a hose. The "Flexo-Bloc" is equipped with an isolating valve with rocker arm which can be operated with the help of a release cord as well as a removable non-return ball (see note non-return ball). The connection of the suction pipe and, if required, of the return pipe is made via a female thread  $\frac{3}{8}$ " with compression connection.

The "Flexo-Bloc" for two pipe systems has a suction hose and a level indicator pipe leading down to the bottom of the tank. A spacer with weight keeps the necessary distance between the entrance hole and the tank bottom so that no sediments are sucked in. The level indicator pipe serves to connect a pneumatic level indicator via a 6 mm pipe or a 6 mm solid hose.

The oil draining facility may also be used for one pipe systems, the return pipe connection should then be closed.

The "Flexo-Bloc" for one pipe systems has hoses similar to those of the "Flexo-Bloc" for two pipe systems or, alternatively, a floating suction without level indicator pipe.

As for the floating suction, the oil is drawn off close to the oil level where the oil contains almost no dirt particles.

#### Installation:

The spacer or the float is introduced into the tank through the opening and the oil draining facility is screwed in. The pipework is connected to the "Flexo-Bloc" (e.g. by using the Oventrop compression fittings).

The valid installation rules are to be observed (note: compression rings made of plastic are not allowed in Germany).

The suction pipe can be checked with the "Flexo-Bloc" being closed (rocker arm down). Before opening the valve (rocker arm set upright), pressure has to be discharged.

#### Note non-return ball:

The integrated non-return ball check valve prevents a drop of the oil column during burner stop. However, the ball of the non-return check valve can be removed.

It has to be removed if a self-monitoring suction pipe (= suction pipe with a steady decline towards the tank without non-return check valve) is planned.

The ball should be removed if an increase in pressure in the suction pipe is to be expected. Pressure strains the pipework and components and may lead to malfunctions of the quick-isolating facilities, diaphragm anti-siphon valves and solenoid valves which may cause burner malfunctions.

Pressure within the pipework may arise if the burner switches off and the cold oil in the boiler-room warms up and expands. If the tank and the burner are not set up in the same room, the non-return ball thus has to be removed to allow the oil to expand towards the tank.

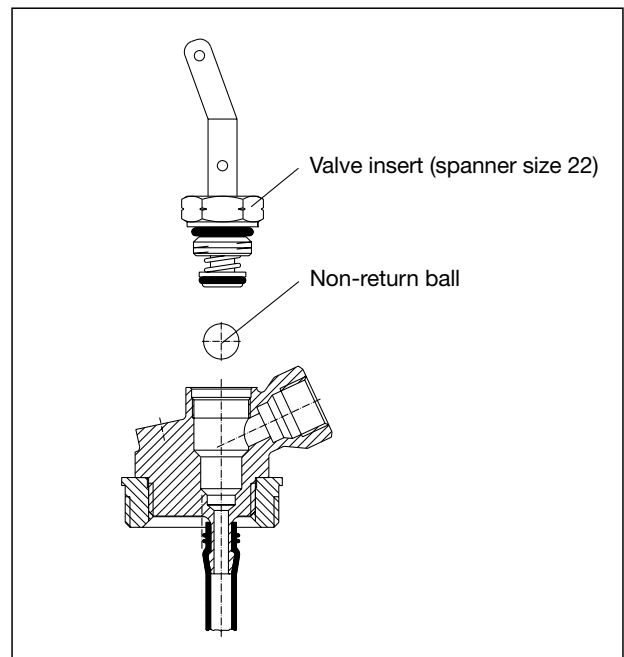
Procedure: Unscrew bonnet, remove ball, refit bonnet.

#### Advantages:

- quick installation
- quick isolation by using the release cord
- non-return ball removable
- spacer keeping distance to the tank bottom
- floating suction (option)
- level indicator pipe for pneumatic level indicator
- direct connection of the pipework by use of Oventrop compression fittings



Example: "Flexo-Bloc" for two pipe systems and "Flexo-Bloc" for one pipe systems with floating suction



Removal of non-return ball

**Technical data:****Connections**

Tank: male thread 1", 1½" or 2"  
 Pipework: female thread ¾" for compression fittings 6, 8, 10 or 12 mm (to be ordered separately)

Level indicator pipe: connection of a pneumatic level indicator via a 6 mm pipe or 6 mm solid hose

Fluid: heating oil EL according to DIN 51603-1 (09.2003)

Flow rate: see chart, approx. 40% higher resistance with pipe length of 3 m  
 Isolation: spring assisted check valve with rocker arm, operation by use of a release cord

Non-return check valve: can be inactivated (remove non-return ball)

Installation position: vertical on top of the tank, tank cover

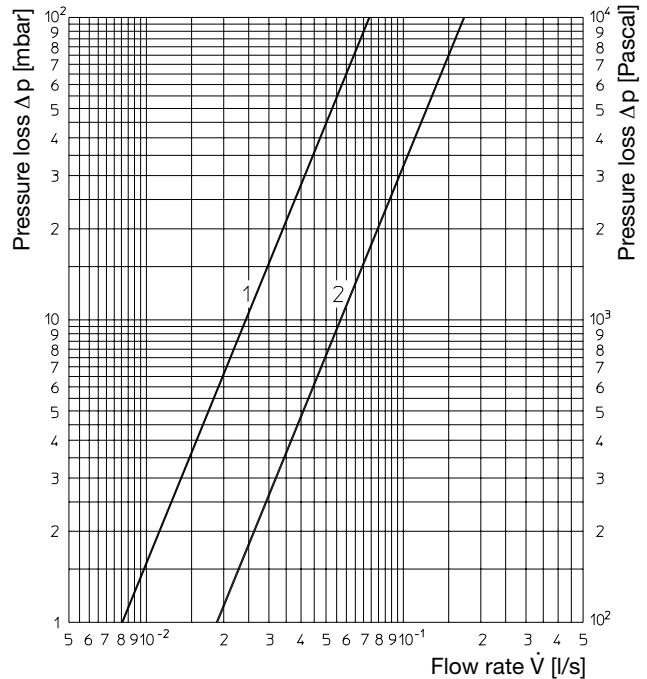
Working temperature: -10°C to +60°C\*

Max. suction pressure: -0.9 bar

Max. test pressure: 6 bar

TÜV tested: TÜV Rhineland, No.: S 115/99  
 Item no. 205 21 ..

\*Temperature range according to DIN 4755: 0°C to 40°C

**Chart**

(hose length 2 m):

1. One pipe system
2. Two pipe system

**Models:**

“Flexo-Bloc” for two pipe system

Pipe connections female thread ¾" with compression ring contour, with brass compression fittings 10 and 12 mm (if required, compression fittings 6 or 8 mm are to be ordered separately, 6 mm item no. 212 70 50, 8 mm item no. 212 70 51)

| Item no.  | Tank connection | Tank depth up to |
|-----------|-----------------|------------------|
| 205 21 51 | 1"              | 2.000 mm         |
| 205 21 52 | 1"              | 3.000 mm         |
| 205 21 53 | 1½"             | 2.000 mm         |
| 205 21 54 | 1½"             | 3.000 mm         |

“Flexo-Bloc” for one pipe system

with floating suction

Pipe connection female thread ¾" with compression ring contour (brass compression fittings to be ordered separately, 6 mm item no. 212 76 50, 8 mm item no. 212 76 51, 10 mm item no. 212 76 52, 12 mm item no. 212 76 53)

| Item no.  | Tank connection | Tank depth up to |
|-----------|-----------------|------------------|
| 205 20 50 | 1"              | 1.750 mm         |
| 205 20 51 | 1½"             | 1.750 mm         |

Note: Export models are supplied with plastic compression rings. These connections may not be used in Germany. They have to be replaced by metal connections or brass compression fittings.

Subject to technical modification without notice.

Product range 9  
 ti 182-1/10/MW  
 Edition 2006

**OVENTROP UK LTD.**

Unit I – The Loddon Centre  
 Wade Road  
 Basingstoke, Hampshire RG24 8FL  
 Great Britain  
 Telephone (01256) 330441  
 Telefax (Sales) (01256) 330525  
 Telefax (General) (01256) 470970  
 E-Mail sales@oventrop.co.uk

F. W. OVENTROP GmbH & Co. KG  
 Paul-Oventrop-Straße 1  
 D-59939 Olsberg  
 Germany  
 Telephone (02962) 82-0  
 Telefax (02962) 82-450  
 E-Mail mail@oventrop.de  
 Internet www.oventrop.de