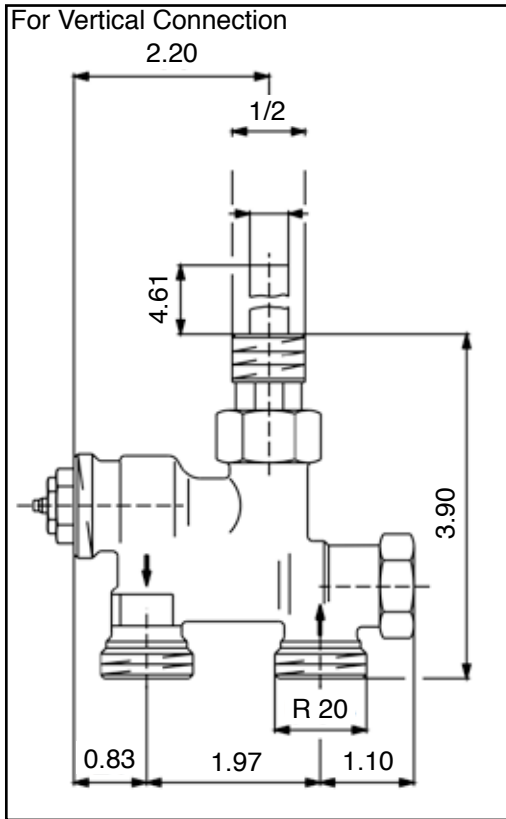


# Oventrop

One-pipe steam to two-pipe hot water radiator conversion valve  
Part No.



**Product specification:**

The one-pipe steam to two-pipe hot water radiator conversion valve is used to change over an existing one pipe steam radiator to operate with hot water heating systems. These valves can be used for vertical or horizontal connection radiators. The conversion valve has an integrated adjustable bypass to allow for series installation. It also has a thermostatic valve built-in.

Material: Nickel plated brass

Working temperature ts: 4°F up to 248°F (for short periods up to 265°F)

Max. working pressure ps: 145 psi

For horizontal or vertical connection to lower radiator nipple.

For horizontal connection 1183561

For vertical connection 1183571

**Thermostat Connection:** M30 x 1.5  
**Radiator Connection:** 1/2"  
**Piping Connection:** R 20

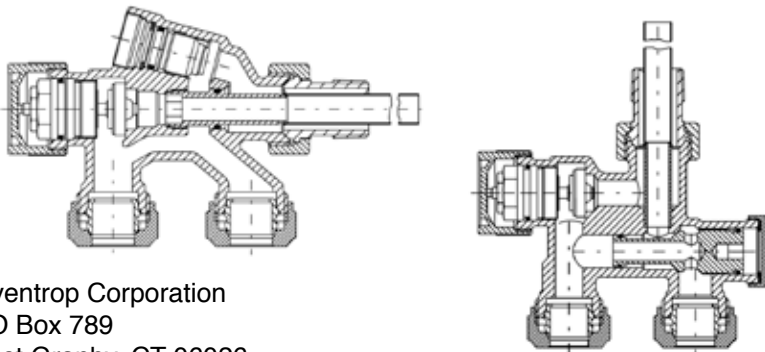
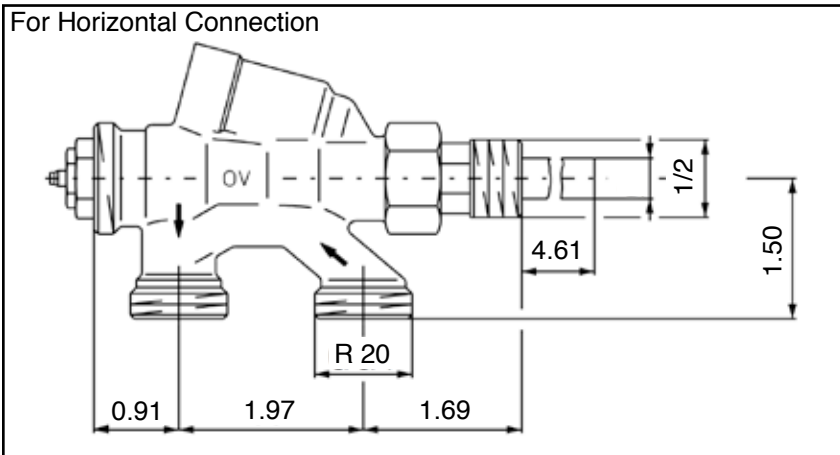
R 20 Fittings:  
Compression fittings for PEX 3/8" 164 68 49

Compression fittings for PEX 1/2" 164 68 50

Compression fittings for PEX 5/8" 164 68 51

Compression fittings with soft seal rubber ring for Copper 1/2" 101 68 44

Compression fittings with brass compression ring for Copper 1/2" 101 68 64



Oventrop Corporation  
PO Box 789  
East Granby, CT 06026  
P:(860)413-9173  
www.oventrop-na.net