



The Oventrop Quality Management System is certified to DIN-EN-ISO 9001

## Exclusive radiator valves

### Valve "Series E"

#### Tender specification:

Oventrop valves "Series E" for central heating systems with circulation pump.

Working temperature  $t_s$ : 2°C up to 120°C

Max. working pressure  $p_s$ : 10 bar

Max. differential pressure: 1 bar

Connection thread M 30 x 1.5

Brass body, O-ring and disc seal made of EPDM, stainless steel stem with double O-ring seal. Surface: anthracite, sand blasted and nickel plated, chrome plated, white powder coated, gold plated, stainless steel finish.

Smooth surface, hidden connections.

Connection for threaded, copper or composition pipe "Copipe". Gland can be replaced without draining the system. Valve insert can be removed with the help of the special tool "Demo-Bloc" with the system being in operation.

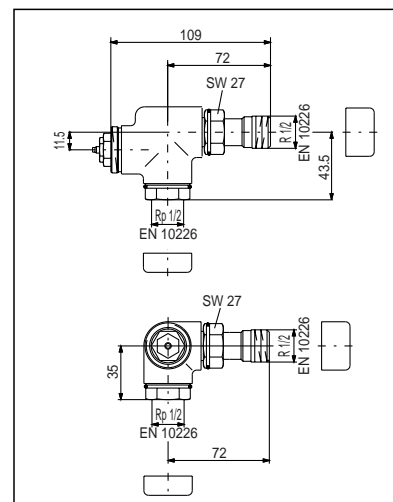
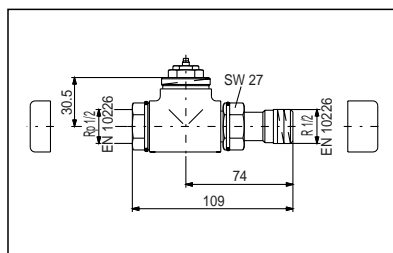
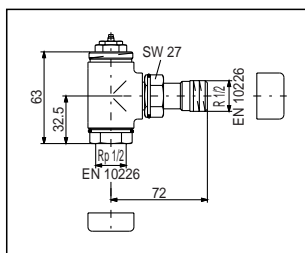
**Note:** For installation with copper pipe according to EN 1057 additionally needed:

Set of compression fittings consisting of: compression ring, compression nut, cap.



	Item no.
1/2" x 12 mm sand blasted and nickel plated	116 93 92
1/2" x 15 mm sand blasted and nickel plated	116 93 93
1/2" x 16 mm sand blasted and nickel plated	116 93 94
1/2" x 12 mm chrome plated	116 90 92
1/2" x 15 mm chrome plated	116 90 93
1/2" x 16 mm chrome plated	116 90 94
1/2" x 12 mm white powder coated	116 91 92
1/2" x 15 mm white powder coated	116 91 93
1/2" x 16 mm white powder coated	116 91 94
1/2" x 12 mm gold plated	116 92 92
1/2" x 15 mm gold plated	116 92 93
1/2" x 16 mm gold plated	116 92 94
1/2" x 12 mm anthracite	116 94 92
1/2" x 15 mm anthracite	116 94 93
1/2" x 12 mm stainless steel finish	116 95 92
1/2" x 15 mm stainless steel finish	116 95 93

### Dimensions:



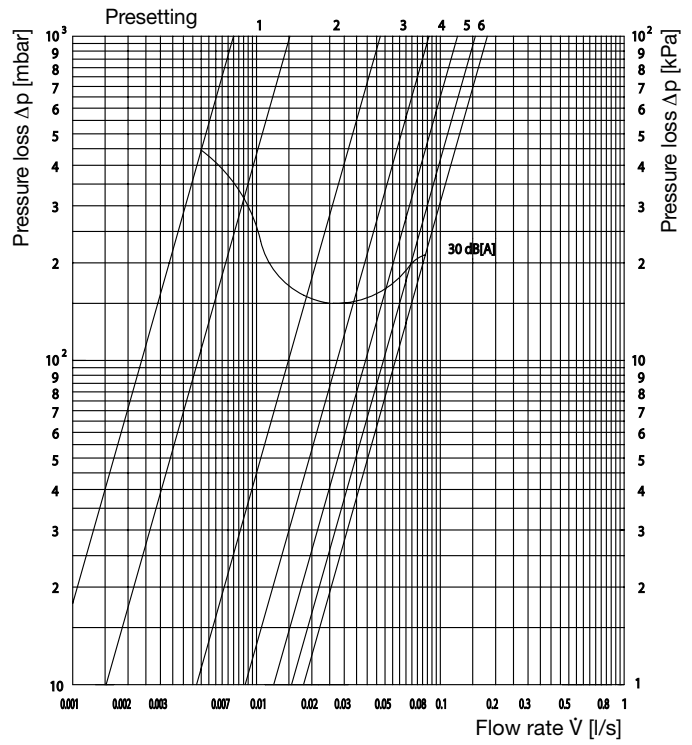
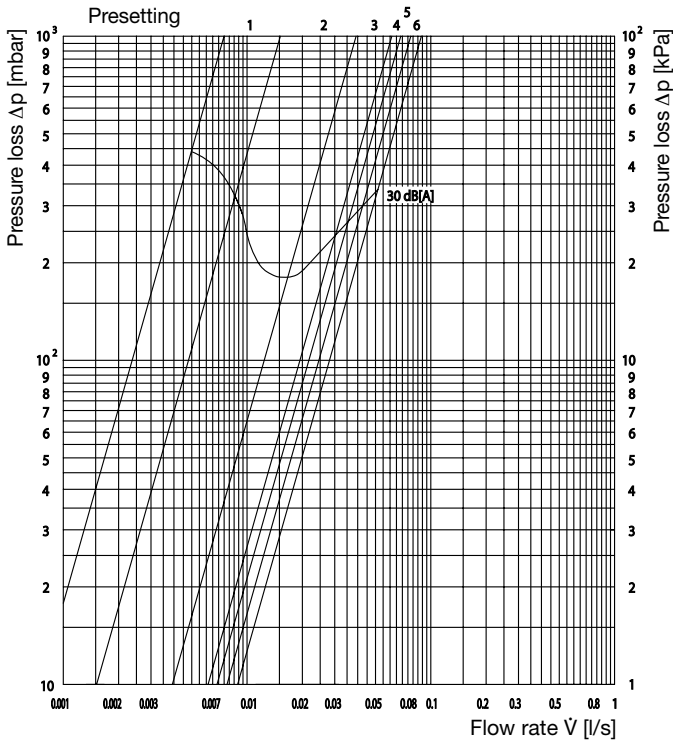
### Item nos.:

Size	Surface					
	anthracite	sand blasted and nickel plated	chrome plated	white powder coated	gold plated	stainless steel finish
DN 15 Angle pattern	116 30 32	116 30 42	116 30 52	116 30 62	116 30 72	116 30 82
DN 15 Straight pattern	116 31 32	116 31 42	116 31 52	116 31 62	116 31 72	116 31 82
DN 15 Reversed angle pattern	116 32 32		116 32 52	116 32 62		
DN 15 Double angle pattern, left	116 34 32		116 34 52	116 34 62		116 34 82
DN 15 Double angle pattern, right	116 34 33		116 34 53	116 34 63		116 34 83

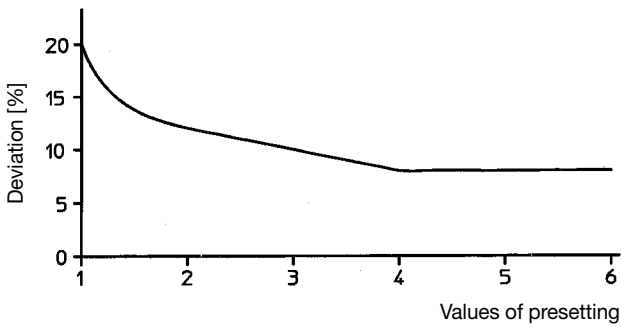
**Performance data:**  
**Valves "Series E"**

All patterns at 1 K P-deviation

All patterns at 2 K P-deviation



**Flow tolerances depending on the presetting:**  
**According to DIN EN 215 at 2 K P-deviation**



**Performance data: all pattern and sizes**

Presetting	1	2	3	4	5	6
k <sub>v</sub> -value at 1K P-deviation	0.055	0.141	0.221	0.247	0.28	0.32
k <sub>v</sub> -value at 1.5K P-deviation	0.055	0.170	0.296	0.370	0.42	0.49
k <sub>v</sub> -value at 2K P-deviation	0.055	0.170	0.313	0.446	0.56	0.65

**Handgrips**

**Tender specification:**

Oventrop handgrip for valves "Serie E", chrome plated.  
 Consisting of chrome plated handgrip corresponding to the product lines "TARA", "MADISON" and "DREAMWORKS" of the company Dornbracht and adapter.

Connection thread M 30 x 1.5

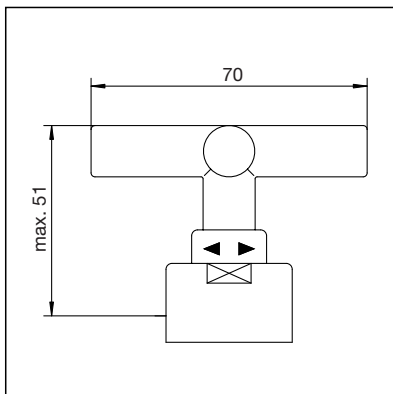
Max. flow temperature: 75°C

**Function:**

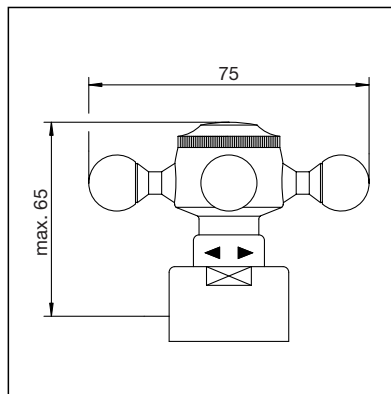
In combination with the valves of the "Series E", the Oventrop handgrips allow a manual, infinitely variable room temperature control. They do not contain a thermostatic sensor element.



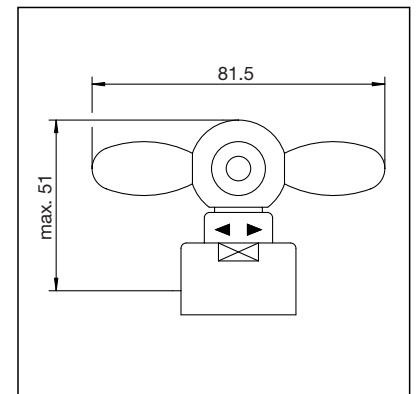
**Dimensions:**



"TARA"



"MADISON"



"DREAMWORKS"

\* Trademarks and design of the company Aloys Dornbracht GmbH & Co. KG, Iserlohn

**Radiator lockshield valves "Combi E"**

**Tender specification:**

Oventrop radiator lockshield valve "Combi E" with presetting with memory position for use in central heating systems.

Working temperature  $t_s$ : 2°C up to 120°C

Max. working pressure  $p_s$ : 10 bar

For isolating, filling, draining and with presetting, female thread according to EN 10226.

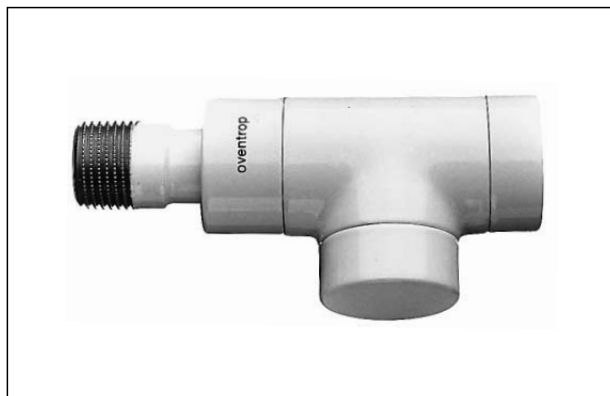
Brass body. Protection cap with additional sealing. Surface: anthracite, sand blasted and nickel plated, chrome plated, white powder coated, gold plated, stainless steel finish.

Smooth surface, hidden connections.

Connection for threaded, copper or composition pipe "Copipe".

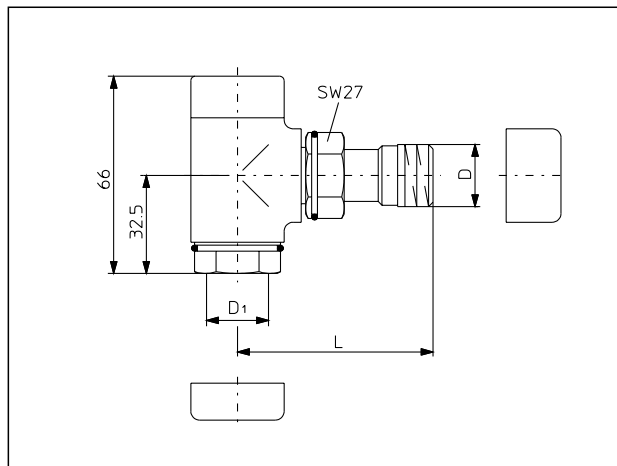
**Note:** For installation with copper pipe according to EN 1057 additionally needed:

Set of compression fittings consisting of: compression ring, compression nut, cap.

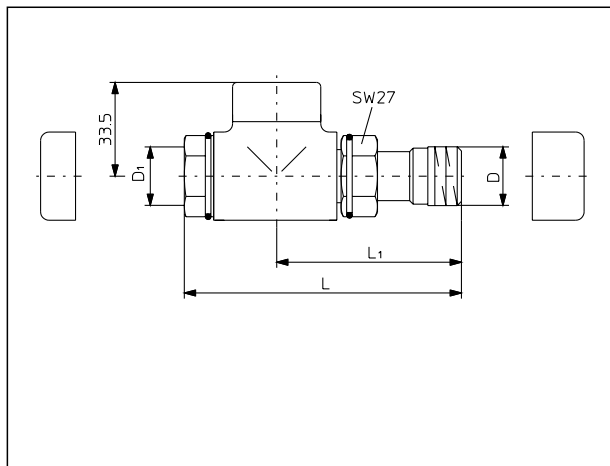


	Item no.
1/2" x 12 mm sand blasted and nickel plated	1169392
1/2" x 15 mm sand blasted and nickel plated	1169393
1/2" x 16 mm sand blasted and nickel plated	1169394
1/2" x 12 mm chrome plated	1169092
1/2" x 15 mm chrome plated	1169093
1/2" x 16 mm chrome plated	1169094
1/2" x 12 mm white powder coated	1169192
1/2" x 15 mm white powder coated	1169193
1/2" x 16 mm white powder coated	1169194
1/2" x 12 mm gold plated	1169292
1/2" x 15 mm gold plated	1169293
1/2" x 16 mm gold plated	1169294
1/2" x 12 mm anthracite	1169492
1/2" x 15 mm anthracite	1169493
1/2" x 12 mm stainless steel finish	1169592
1/2" x 15 mm stainless steel finish	1169593

**Dimensions:**



DN	D EN 10226	D <sub>1</sub> EN 10226	L
15	R 1/2	Rp 1/2	72



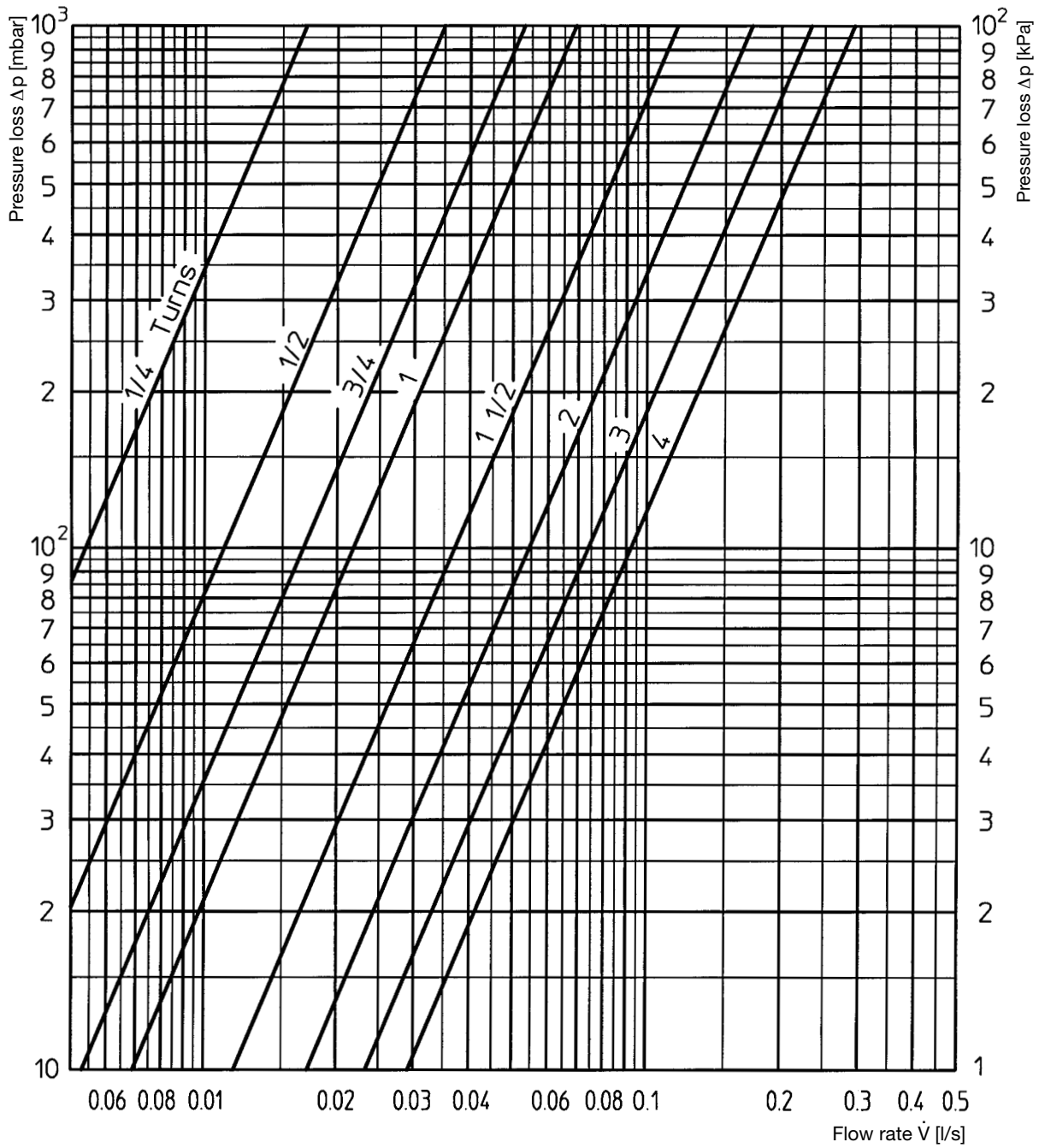
DN	D EN 10226	D <sub>1</sub> EN 10226	L	L <sub>1</sub>
15	R 1/2	Rp 1/2	109	74

**Item nos.:**

Size	Surface					
	anthracite	sand blasted and nickel plated	chrome plated	white powder coated	gold plated	stainless steel finish
DN 15 Angle pattern	116 60 32	116 60 42	116 60 52	116 60 62	116 60 72	116 60 82
DN 15 Straight pattern	116 70 32	116 70 42	116 70 52	116 70 62	116 70 72	116 70 82

Performance data:

Radiator lockshield valves "Combi E"



DN 15 Angle and straight pattern

Presetting	1/4	1/2	3/4	1	1 1/2	2	3	4
$k_v$	0.060	0.126	0.190	0.250	0.420	0.620	0.840	1.050
Zeta	28070	6370	2780	1620	590	263	143	92

Subject to technical modification without notice.

Product group 1  
ti 74-1/10/MW  
Edition 2008

Printed on paper free from  
chlorine bleaching.

F. W. OVENTROP GmbH & Co. KG  
Paul-Oventrop-Straße 1  
D-59939 Olsberg  
Germany  
Telephone +49(0) 2962 82-0  
Telefax +49(0) 2962 82-450  
E-Mail [mail@oventrop.de](mailto:mail@oventrop.de)  
Internet [www.oventrop.de](http://www.oventrop.de)

For an overview of our global presence  
visit [www.oventrop.de](http://www.oventrop.de).