

## Indirect Solar Water Heaters

Indirect domestic hot water solar storage tanks are made in 80- and 119-gallon units.

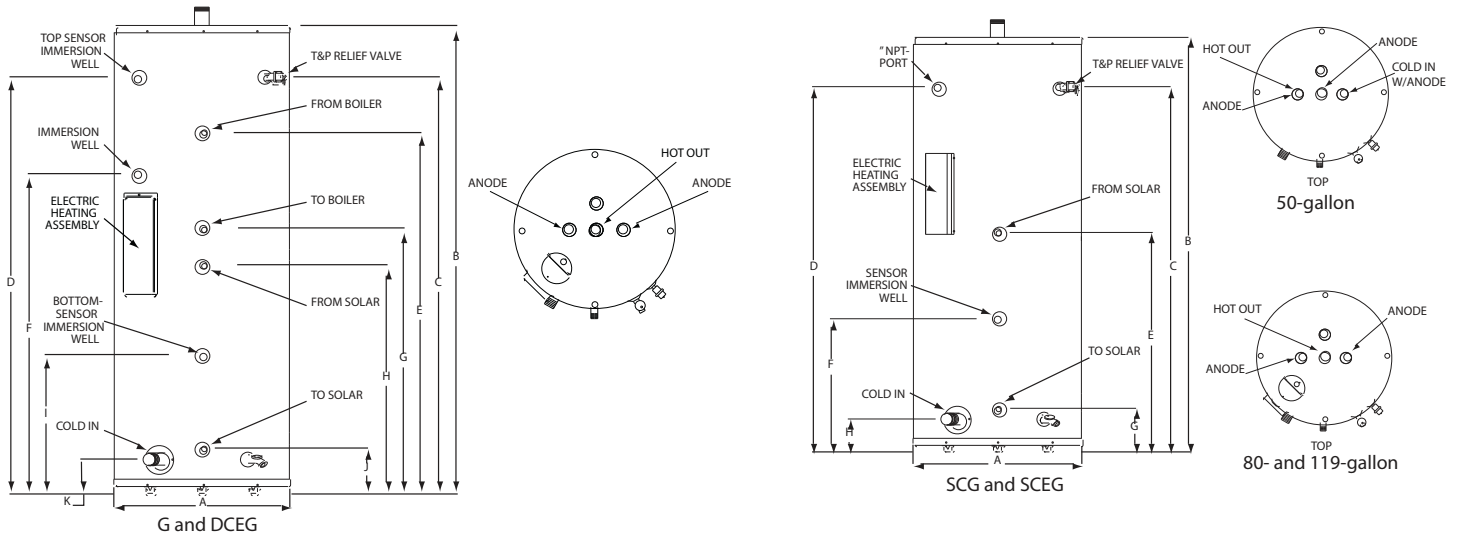
Models include Dual Coil (G), Single Coil (SCG), and Single Coil with Electric Back-up (SCGE), and Dual Coil with Electric Back-up (DCGE).

The bottom heat exchanger coil is connected to the solar collectors. For solar storage only, use the single coil tank (SCG). The dual coil model is designed for boiler back-up indirect water heating (DCG). The electric models (SCGE/ DCGE) provide a 240VAC element for electric back-up hot water heating.

- Available in 50\*, 80, and 119 gallon capacities (single or dual coil configurations)
- Optional 4500W electric heating element (single or dual coil configurations)
- Available with single or dual high capacity 1.5" internal coil heat exchangers
- Porcelain fused-to-steel lining is highly resistant to aggressive water
- 1" NPT connections
- 2" Non-CFC zero ozone depleting foam insulation
- Two magnesium anodes
- Factory installed brass drain valve
- Factory installed T&P valve



\*Single coil tank only



Model	Electric Backup	Number of Coils	Storage (Gal.)	Dimensions											Shipping Weight (lbs.)
				A	B	C	D	E	F	G	H	I	J	K	
540 00 50 SCG	-	1	45	22	48-1/4	39-3/4	39-3/4	31-1/2	16-3/4	6-1/2	-	-	-	-	241
540 00 80 G	-	2	73	24	64	57-1/8	57-1/8	49-1/2	46-7/8	36-1/2	31-1/2	19-1/4	6-1/2	5	327
540 00 80 DCEG	Y	2	73	24	64	57-1/8	57-1/8	49-1/2	46-7/8	36-1/2	31-1/2	19-1/4	6-1/2	5	337
540 00 80 SCG	-	1	75	24	64	57-1/8	57-1/8	31-1/2	19-1/4	6-1/2	5	-	-	-	297
540 00 80 SCEG	Y	1	75	24	64	57-1/8	57-1/8	31-1/2	19-1/4	6-1/2	5	-	-	-	307
540 01 19 G	-	2	108	28	65	57-3/4	57-3/4	51-3/4	49-1/8	38-3/4	33-3/4	16-1/4	8-3/4	6-1/2	427
540 01 19 DCEG	Y	2	108	28	65	57-3/4	57-3/4	51-3/4	49-1/8	38-3/4	33-3/4	16-1/4	8-3/4	6-1/2	437
540 01 19 SCG	-	1	110	28	65	57-3/4	57-3/4	33-3/4	16-1/4	8-3/4	6-1/2	-	-	-	397
540 01 19 SCEG	Y	1	110	28	65	57-3/4	57-3/4	33-3/4	16-1/4	8-3/4	6-1/2	-	-	-	407



Oventrop Corporation  
P.O. Box 789  
29 Kripes Road  
East Granby, CT 06026  
Phone (860) 413 9173  
Fax (860) 413 9436  
Website [www.oventrop-us.com](http://www.oventrop-us.com)