



Function:

Oventrop thermostats are proportional regulators working without auxiliary energy. They regulate the room temperature by varying the flow volume of heating water.

Tender specification:

Oventrop thermostat "Uni XH" with liquid sensor, connection thread M 30 x 1.5, temperature range can be limited and locked by use of limiting elements, marking of a set value by use of memory disc, tactile setting device, temperature range 45-82.5 °F.

white model
with '0' setting 101 13 65
without '0' setting 101 13 64

as above but with remote sensor

white model
with '0' setting
capillary 6.6 ft long 101 15 65
capillary 16.4 ft long 101 15 66
without '0' setting
capillary 6.6 ft long 101 15 82

Oventrop thermostat "Uni XHT" with liquid sensor, connection thread M 30 x 1.5, temperature range can be limited and locked by use of limiting elements, marking of a set value by use of memory disc, tactile setting device, temperature range 45-82.5°F, max. heating water temperature 194 °F.

transparent model, with '0' setting 101 13 00

Oventrop thermostat "Uni XHZ" with liquid sensor, connection thread M 30 x 1.5, temperature range can be limited and locked by use of limiting elements, marking of a set value by use of memory disc, tactile setting device, with connection (jack socket Ø 3.5 mm) for mains adaptor, timed setback of the nominal value by connecting the time switch, item no. 115 13 88, and the mains adaptor, item no. 115 13 89.

Temperature range 50-82.5°F, during setback about 42.8-75.2 °F.

white model
without '0' setting 101 13 69

Oventrop thermostat "Uni XHB", lockshield configuration, with liquid sensor, connection thread M 30 x 1.5, temperature range can be limited and locked by use of limiting elements at the lower side, with integrated anti-theft device, fitting and removal only possible by using a special tool, increased strength, temperature range 45-82.5°F.

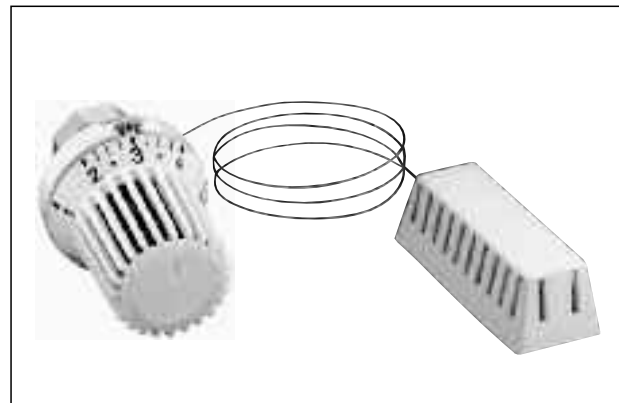
white model
without '0' setting 101 13 18

Oventrop thermostat "Uni LH" with liquid sensor, connection thread M 30 x 1.5, temperature range can be limited and locked by use of hidden limiting elements, marking of a set value by use of the memory disc, tactile setting device, temperature range 45-82.5°F.

white model
with '0' setting 101 14 65
without '0' setting 101 14 64
anthracite model, with collar nut cover,
with '0' setting 101 14 67
gold plated model, with collar nut cover,
with '0' setting 101 14 68
chrome plated model, with collar nut cover,
with '0' setting 101 14 69



Thermostat "Uni XH"



Thermostat "Uni XH" with remote sensor



Thermostat "Uni XHB"



Thermostat "Uni LH"

as above but with remote sensor
white model
with '0' setting
capillary 6.6 ft long 101 16 65
capillary 16.4 ft long 101 16 66
capillary 32.8 ft long 101 16 67
without '0' setting
capillary 6.6 ft long 101 16 82
anthracite model, with collar nut cover,
with '0' setting
capillary 6.6 ft long 101 16 45

Oventrop thermostat "Uni LH" with liquid sensor for indoor swimming pools and medical baths, connection thread M 30 x 1.5, temperature range can be limited and locked by use of hidden limiting elements, marking of a set value by use of the memory disc, tactile setting device, temperature range 37.4-100.4°F.

white model
without '0' setting 101 14 88
as above but with remote sensor
capillary 6.6 ft long 101 16 88

Oventrop thermostat "Uni LH" with remote control
connection thread M 30 x 1.5, temperature range 45-82.5 °F

white model
with '0' setting
capillary 6.6 ft long 101 22 95
capillary 16.4 ft long 101 22 96
capillary 32.8 ft long 101 22 97

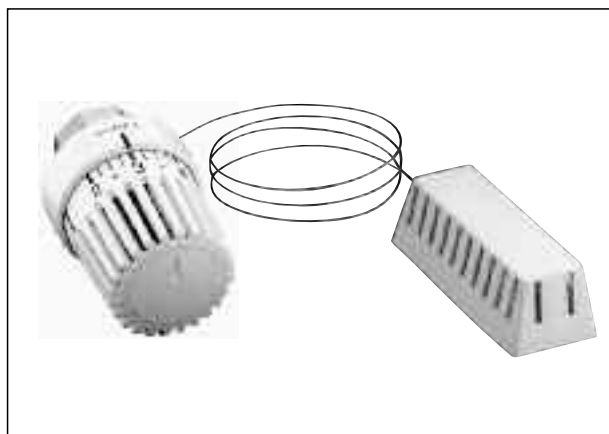
as above but with additional remote sensor
with '0' setting
capillary 6.6 ft long 101 23 95
capillary 16.4 ft long 101 23 96

Oventrop thermostat "Uni DH" with wax sensor, connection thread M 30 x 1.5, temperature range 45-82.5 °F

white model
with '0' setting 101 10 65

chrome plated model, with collar nut cover
with '0' setting 101 10 69

as above but with remote sensor
white model
without '0' setting
capillary 6.6 ft long 101 11 65



Thermostat "Uni LH" with remote sensor



Thermostat "Uni LH" with remote control



Thermostat "Uni DH"

Oventrop thermostat "Uni XD" with liquid sensor, squeeze connection, temperature range can be limited and locked by use of limiting elements, tactile setting device, marking of a set value by use of the memory disc, temperature range 45-82.5 °F

white model		
with '0' setting		101 13 75
without '0' setting	101 13 74	
as above but with remote sensor		
white model		
with '0' setting		
capillary	6.6 ft long	101 15 75



Thermostat "Uni XD"

Oventrop thermostat "Uni XDZ" with liquid sensor, squeeze connection, temperature range can be limited and locked by use of limiting elements, marking of a set value by use of memory disc, tactile setting device, with connection (jack socket Ø 3.5 mm) for mains adaptor, timed setback of the nominal value by connecting the time switch, item no. 115 13 88, and the mains adaptor, item no. 115 13 89. Temperature range

122 °F, during setback about 42.8-75.2 °C.
white model
without '0' setting

101 13 79



Thermostat "Uni LD"

Oventrop thermostat "Uni LD" with liquid sensor, squeeze connection, temperature range can be limited and locked by use of hidden limiting elements, marking of a set value by use of the memory disc, tactile setting device, temperature range 45-82.5 °F

white model		
with '0' setting		101 14 75
without '0' setting	101 14 72	
anthracite model, with collar nut cover		
with '0' setting		101 14 78
gold plated model, with collar nut cover		
with '0' setting		101 14 80
chrome plated model, with collar nut cover		
with '0' setting		101 14 79



Thermostat "Uni LD" with remote sensor

as above but with remote sensor
white model
with '0' setting
capillary

6.6 ft long

101 16 85

as above but with remote control
white model
with '0' setting
without collar nut cover
capillary

6.6 ft long

101 22 75



Thermostat "Uni LD" with remote control

Thermostats M 30 x 1.0

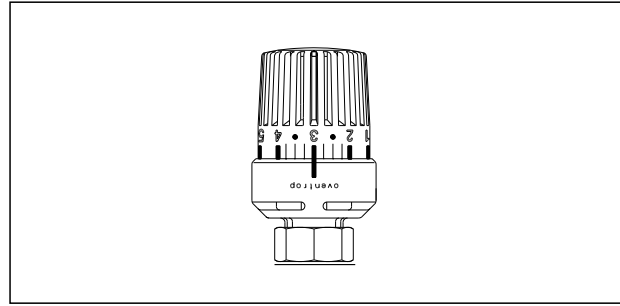
Oventrop thermostat "Uni L" with liquid sensor, connection thread M 30 x 1.0, temperature range can be limited and locked by use of hidden limiting elements, marking of a set value by use of the memory disc, temperature range 45-82.5 °F.

white model
with '0' setting 101 14 01

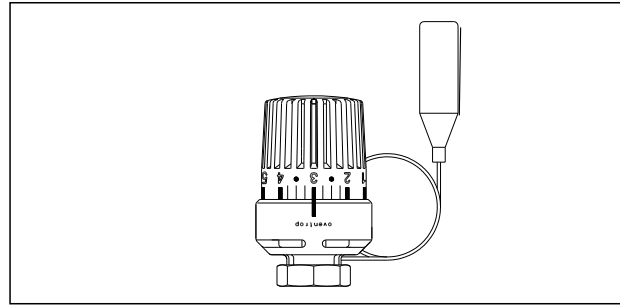
as above but with remote sensor
white model
with '0' setting
capillary 6.6 ft long 101 16 51

Oventrop thermostat "Uni D" with wax sensor, connection thread M 30 x 1.0, temperature range 45-82.5 °F.

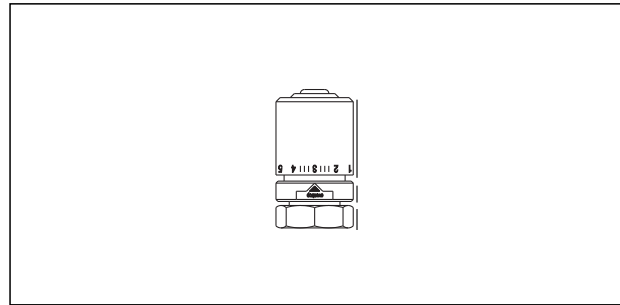
white model
with '0' setting 101 10 90



Thermostat "Uni L"



Thermostat "Uni L" with remote sensor



Thermostat "Uni D"

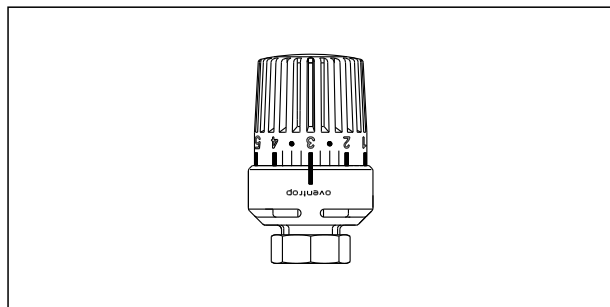
Special thermostats

Oventrop thermostat "Uni LA" with liquid sensor, connection thread M 28 x 1.5, temperature range can be limited and locked by use of hidden limiting elements, marking of a set value by use of the memory disc, tactile setting device, temperature range 45-82.5 °F

Suitable for Herz thermostatic radiator valves (lower parts)

white model, with '0' setting 161 34 01

without '0' setting 161 34 65

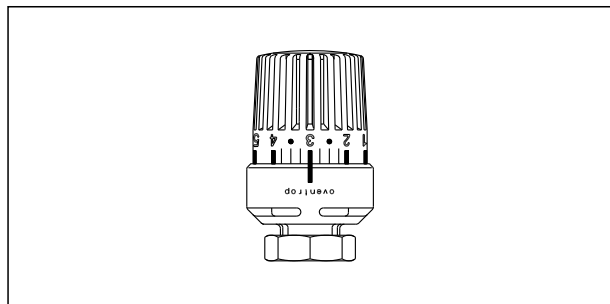


Thermostat "Uni LA" M 28 x 1.5

Oventrop thermostat "Uni LI" with liquid sensor, connection thread M 32 x 1.0, temperature range can be limited and locked by use of hidden limiting elements, marking of a set value by use of the memory disc, tactile setting device, temperature range 45-82.5 °F

Suitable for Ista thermostatic radiator valves (lower parts)

white model, with '0' setting 161 62 00

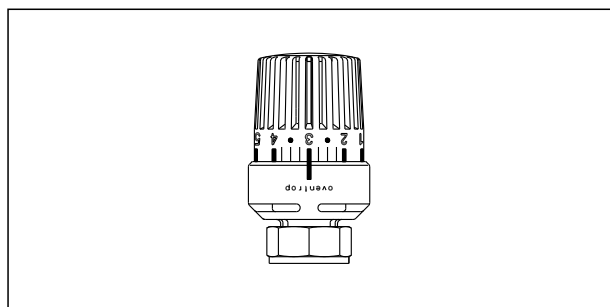


Thermostat "Uni LI" M 32 x 1.0

Oventrop thermostat "Uni LR" with liquid sensor, connection thread M 33 x 2.0, temperature range can be limited and locked by use of hidden limiting elements, marking of a set value by use of the memory disc, tactile setting device, temperature range 45-82.5 °F

Suitable for Rosswein thermostatic radiator valves (lower parts)

white model, with '0' setting 161 63 01

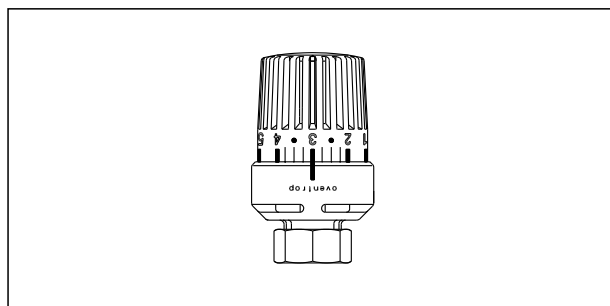


Thermostat "Uni LR" M 33 x 2.0

Oventrop thermostat "Uni LK" with liquid sensor, connection thread M 28 x 1.0, temperature range can be limited and locked by use of hidden limiting elements, marking of a set value by use of the memory disc, tactile setting device, temperature range 45-82.5 °F

Suitable for Kosmia thermostatic radiator valves (lower parts)

white model, with '0' setting 161 35 01

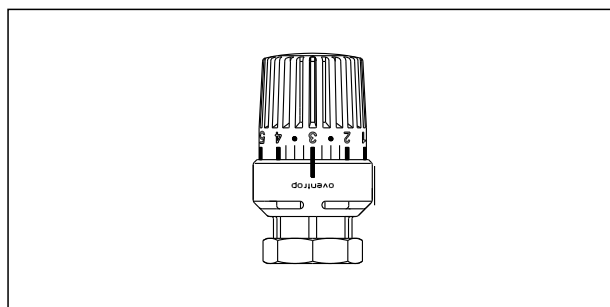


Thermostat "Uni LK" M 28 x 1.0

Oventrop thermostat "Uni LV" with liquid sensor, squeeze connection with collar nut, temperature range can be limited and locked by use of hidden limiting elements, marking of a set value by use of the memory disc, tactile setting device, temperature range 45-82.5 °F

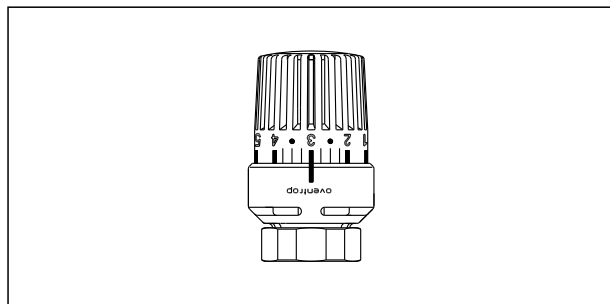
Suitable for Vaillant thermostatic radiator valves (lower parts)

white model, with '0' setting 161 60 01



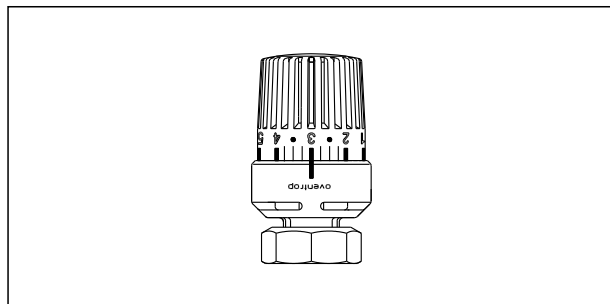
Thermostat "Uni LV" with squeeze connection

Oventrop thermostat "Uni LM" with liquid sensor, connection thread M 38 x 1.5, temperature range can be limited and locked by use of hidden limiting elements, marking of a set value by use of the memory disc, tactile setting device, temperature range 45-82.5 °F
 Suitable for Meges thermostatic radiator valves (lower parts)
 white model, with '0' setting 161 61 00



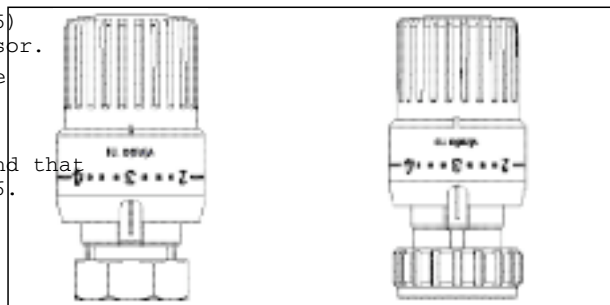
Thermostat "Uni LM" M 38 x 1.5

Oventrop thermostat with liquid sensor, connection thread M 40 x 1.5, marking of a set value by use of the memory disc, tactile setting device, temperature range 45-82.5 °F
 Only for Oventrop "maxi/mini" thermostatic radiator valves manufactured up to 1974. The valves of this series are no longer produced.
 white model, with '0' setting 101 55 00



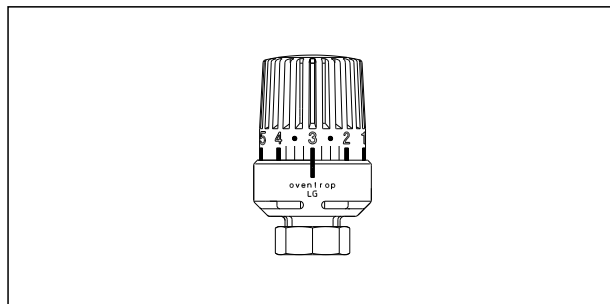
Thermostat für "maxi/mini" valves M 40 x 1.5

Thermostats vindo TH (connection thread M 30 x 1.5) and vindo TD (squeeze connection) with liquid sensor. Slim design and reduced dimensions combine exclusive form with high functional efficiency. Tactile setting devices. The collar nut of the vindo TH is nickel plated and that of the vindo TD is made of white plastic, RAL 9016. The handgrip is white (RAL 9016), the lower central piece is black.



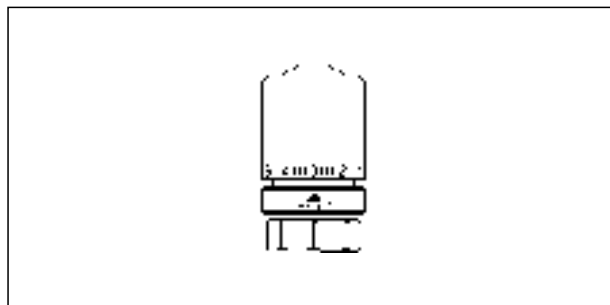
Thermostat "Vindo" M 30 x 1.5

Oventrop thermostat "Uni LG" with liquid sensor, connection thread M 30 x 1.5, temperature range can be limited or locked by use of hidden limiting elements, marking of a set value by use of the memory disc, tactile setting device, temperature range 45-82.5 °F. For special installation, graduation on cap turned by 180° compared to "Uni LH".
 white model, with '0' setting 101 85 61



Thermostat "Uni LG"

Oventrop thermostat "Uni DG" with wax sensor, connection thread M 30 x 1.5, temperature range 45-82.5 °F For special installation, graduation on cap turned by 180° compared to "Uni DH"
 white model, with '0' setting 101 10 61



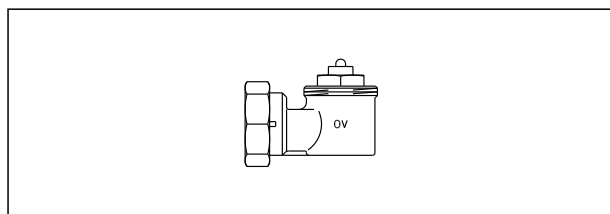
Thermostat "Uni DG"

Thermostats – Accessories

Angle pattern adapter

For the connection of thermostats at a right angle to the operating direction of the valve, especially suitable for radiators with integrated distributor, connection at the left and right hand side of the radiator.

both ports connection thread M 30 x 1.5 101 14 50

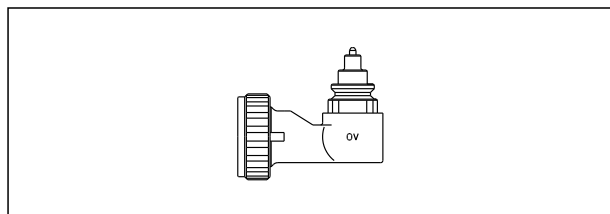


Angle pattern adapter

both ports connection thread M 30 x 1.5

both ports squeeze connection 101 14 52

Thermostat side suitable for thermostats with squeeze connection ("Uni XD", "Uni LD" and "Uni CD"). Valve side suitable for valves of the company Danfoss, series RA.

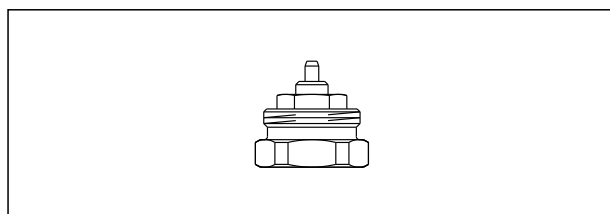


Angle pattern adapter both ports squeeze connection

Adapter 101 14 45

for conversion of connection thread
M 30 x 1.0 to M 30 x 1.5, nickel plated

For the connection of all thermostats and controls with connection thread M 30 x 1.5



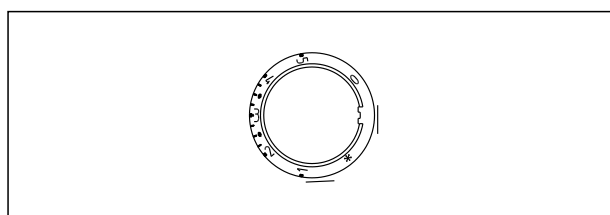
Adapter

Graduated collar "Uni-Clip" for "Uni XH", "Uni XHM", "Uni XHZ", "Uni XD" and "Uni XDZ"

Due to the vertical position of the figures, the set values can be easily read off in case of lateral connection of the thermostat.

right hand side installation 101 13 96

left hand side installation 101 13 97

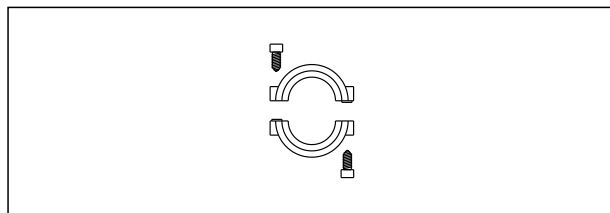


"Uni Clip"

Anti-theft ring
white model

for thermostats "Uni XH", "Uni XHM", "Uni LH", "Uni DH",
"Uni L" and "Uni D" 101 17 66

for thermostats "Uni XD" and "Uni LD" 101 17 75

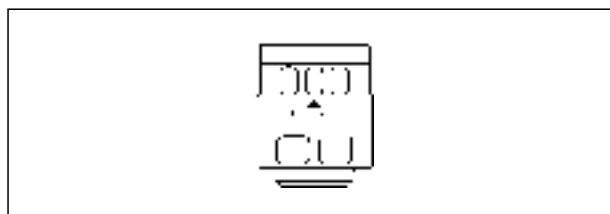


Anti-theft ring

Reinforcing cap for the stabilisation and protection of the thermostat from theft and vandalism

for thermostat "Uni LH"
white model 101 18 65

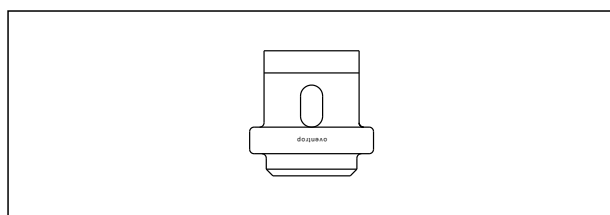
for thermostat "Uni LD"
white model 101 18 75



Reinforcing cap for "Uni LH"

for thermostats "Uni DH" and "Uni D"

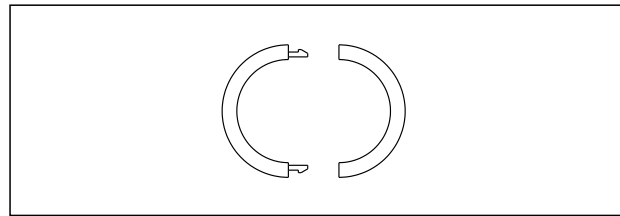
white model 101 19 11



Reinforcing cap for "Uni DH" and "Uni D"

Cover to hide the collar nut of thermostats
white model
for collar nut of the thermostats
"Uni XH", "Uni XHM" and "Uni LH"
"Uni L"

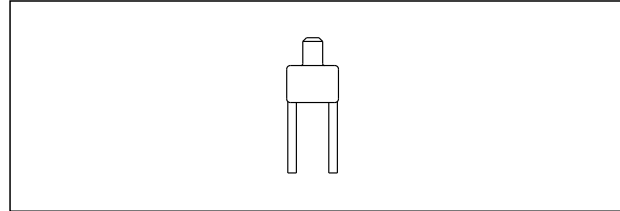
101 13 93
101 14 93



Collar nut cover

Tool for loosening the cap and clips
for thermostats "Uni LH", "Uni L", "Uni LD"
and special thermostats

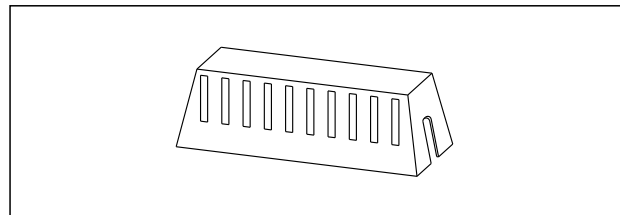
198 91 00



Tool

Cover for remote sensor, suitable for all
remote sensors
white model

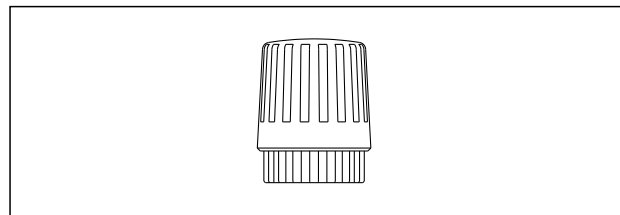
101 16 99



Cover

Manual head
white model
Connection thread M 30 x 1.5
Squeeze connection

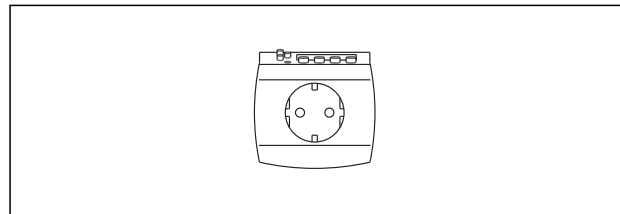
101 25 65
101 25 75



Manual head

Time switch for thermostats
"Uni XHZ" and "Uni XDZ"
230 V

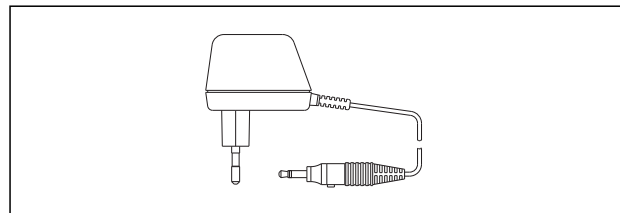
115 13 88



Time switch

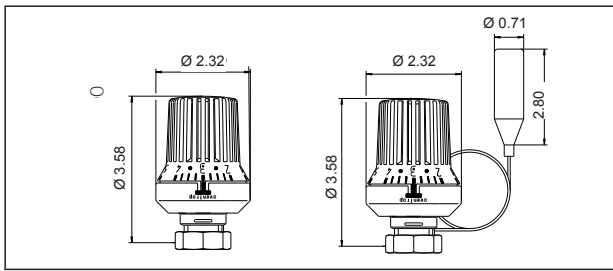
Mains adaptor for thermostats
"Uni XHZ" and "Uni XDZ"
Connection cable 6.6 ft long,
jack socket \varnothing 3.5 mm
230 V/24 V

115 13 89

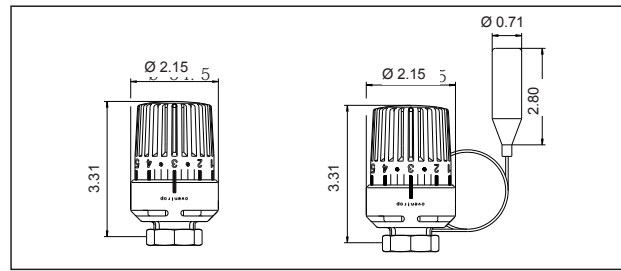


Mains adaptor

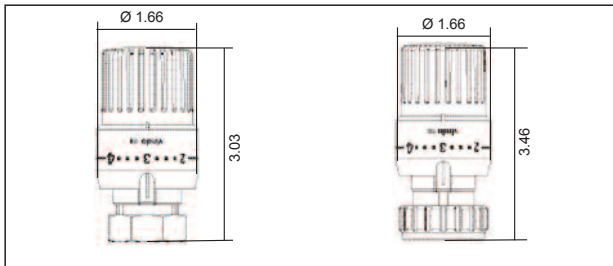
Thermostats



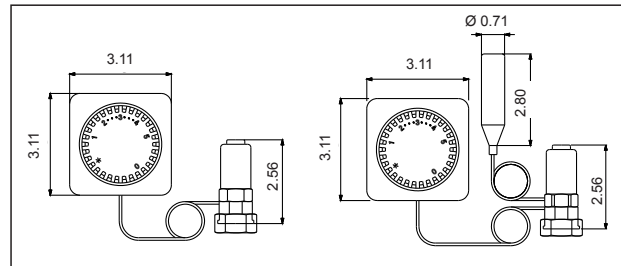
“Uni XH”
white model
with remote sensor 6.5’
16’
Item no. 101 13 65
Item no. 101 15 65
Item no. 101 15 66



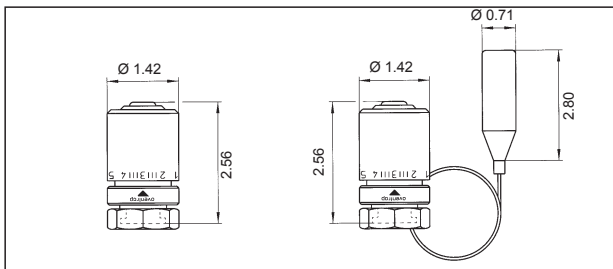
“Uni LH”
Item no. 101 14 69
“Uni LH” with remote sensor 6.6’
Item no. 101 16 65



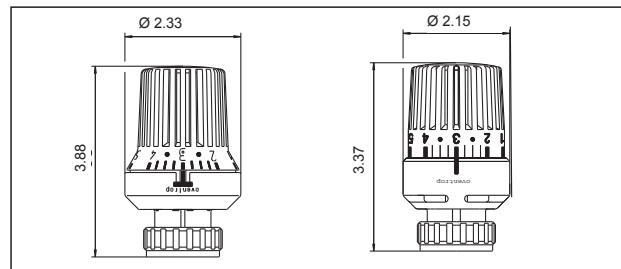
“Vindo TH”
Item no. 101 30 65
“Vindo TD”
Item no. 101 30 75



“Uni LH” Remote control
depth 2 1/8”
Item no. 101 22 95
Remote control with
additional remote sensor
depth 2 1/8”
Item no. 101 23 95

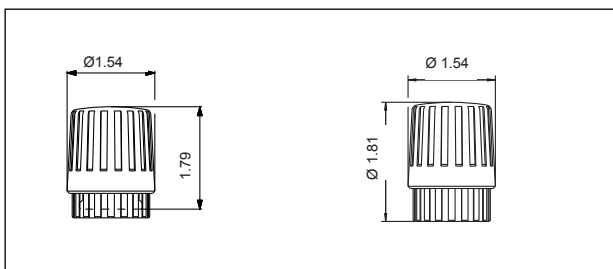


Thermostat
“Uni DH”
Item no. 101 10 65
Thermostat
“Uni DH” with remote sensor
Item no. 101 11 65

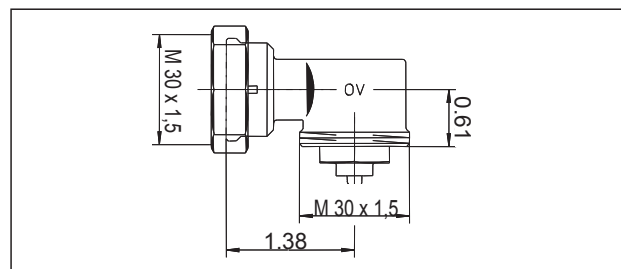


Thermostat
“Uni XD”
Thermostat
“Uni LD”

Manual head

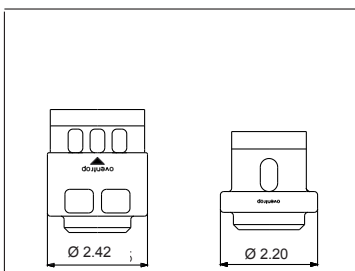


Item no. 101 25 65
Item no. 101 25 75

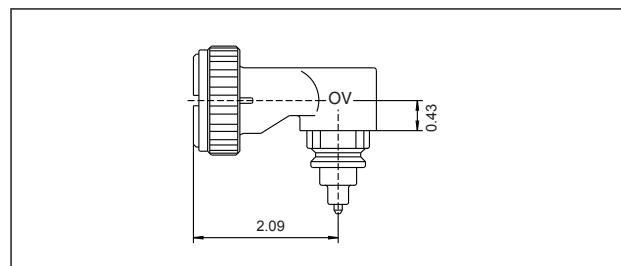


Angle pattern adapter item no. 101 14 50

Accessories



Reinforcing cap
for “Uni LH”
101 18 65
Reinforcing cap
for “Uni DH”
101 19 11



Angle pattern adapter squeeze connection 101 14 52

Demands and technical data of the thermostats combined with Oventrop valves

Demands:

Oventrop thermostatic radiator valves comply with the EN 215 standard.

In addition, the thermostatic radiator valves of the "Series F" correspond to:

- the directions of the Association for District Heating (AGWF)
- the conditions of the company Esso (TA list)

T The Oventrop valves of the "Series A", "Series RF", "Series AV 6", "Series F" and "Series G" with the thermostats "Uni XH", "Uni LH", "Uni L" and "Uni LG" as well as "Uni LH" and "Uni L" with remote sensor are CEN tested (Reg.-No. 6T0002).

For further details please see installation instructions.

Technical data:

- Nominal flow rate: (see flow chart in Oventrop data sheet "Thermostatic radiator valves")
- Max flow of heating water: (see flow chart in Oventrop data sheet "Thermostatic radiator valves")
- Temperature range: 45-82.5 °F
- Position 3: about. 68° F
- Max. differential pressure against which the valve closes:
14.5 psi: "Series A, AV 6, ADV 6, RF, RFV 6, AZ"
43.5 psi: "Series F"
- Valve body material: brass
- Hysteresis:
"Uni XH": 0.2 K
"Uni LH, Uni L": 0.2 K
"Uni CH, Uni C": 0.2 K
"Uni DH, Uni D": 0.8 K
- Heating water temperature effect:
"Uni XH": 0.37/30 K
"Uni LH", "Uni L",
"Uni CH", "Uni C": 0.65 K/30 K
"Uni DH", "Uni D": 1.0 K/30 K
"Uni XH", "Uni LH",
"Uni CH", "Uni DH"
with remote sensor: 0.2 K/30 K
- Differential pressure effect: 0.1 K–0.7 K/7.3 psi
- Closing time
"Uni XH": 22 minutes
"Uni LH, Uni L": 23 minutes
"Uni CH, Uni C": 23 minutes
"Uni DH, Uni D": 20 minutes
- Temperature resistance: 32°F - 122°F
- Max. heating water temperature:
248°F (194°F for thermostat
"Uni XHT")